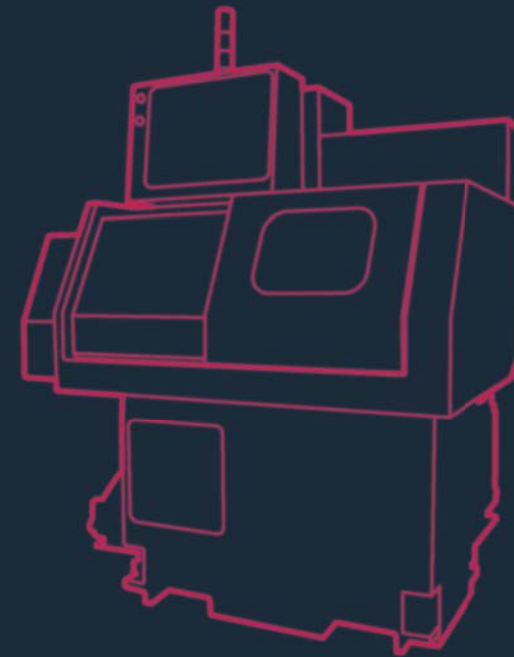


| 機型 / Model | | RC-25HQ | RC-25EQ |
|---------------------|-------------------------------------|---------------------------|--------------------------|
| 加工能力 Capacity | 最大加工直徑 Max. Turning Diameter | Ø26 mm | |
| | 最大加工長度 Max. Turning Length | Ø100 mm | |
| | 棒材最大直徑 Bar Capacity | Ø26 mm | |
| | 最小輸入單位 Min. Input Unit | 0.001 mm | |
| 刀具 Tool | 外徑刀具 O. D. Tool | 16 mm | |
| | 內徑刀具 I. D. Tool | C20 – ER16 | |
| | 內徑刀具襯套 I. D. Tool Bushing | 6、8、10、12、16 x2 (Opt.) | |
| 主軸 Spindle | 主軸最高轉速 Max. Spindle Speed | 6000 rpm | |
| | 主軸鼻端 Spindle Nose | Ø85 mm | |
| 軸向行程 Axis Stroke | X軸行程 X-axis Stroke | 170 mm | 220 mm |
| | Z軸行程 Z-axis Stroke | 170 mm | |
| | X/Z軸快速移動 X/Z-axis Rapid Speed | 16 m/min | |
| 馬達 Motor | 主軸馬達 Spindle Motor | 3 kw | |
| | X/Z軸馬達 X/Z-axis Motor | 0.75 kw | |
| | 油壓馬達 Hydraulic Motor | 0.75 kw | |
| | 冷卻幫浦馬達 Coolant Pump Motor | 0.37 kw | |
| 其他 General | 油箱容量 Coolant Tank Capacity | 40 L | 65 L |
| | 機械尺寸 Machine Dimension | L1250 × W1020 × H1500 mm | L1500 × W1250 × H1630 mm |
| | 機械重量 (淨重) Machine Weight (N. W.) | 1300 kg | |
| | 動力需求 Power Supply | AC / 3PH / 220V / 8kw | |
| | CNC控制器 CNC Controller | SYNTEC / LNC / MITSUBISHI | |

RAY FENG MACHINE

PRODUCTS CATEGORY
RC EQ



標準配備 Standard Accessories

- 車刀架上下座 Turning Tool Holders up base and down base x2
- 鑽孔軸 Drilling Shaft x3
- 鑽孔座(4孔) Drill Holder (4 holes) x4
- 擋料軸 Stop Bar x1

特殊選配 Optional Accessories

- 主軸筒夾 Spindle Collets (148E #20; 161E #25)
- 成品輸送機 Parts Conveyor
- 側面動力刀具 (伺服馬達) (限RC-25EQ 搭配 SYNTEC EZ 控制器)
Side Power Driven Tool (Servo Motor) (RC-25EQ with SYNTEC Controller ONLY)
- 鐵屑輸送機 Chip Conveyor with Cart
- 油壓六角刀塔 (限RC-25EQ) Hydraulic 6 Position Turret (RC-25EQ ONLY)
- 油霧回收機 Oil Mist Collector
- 自動棒材送料機 Auto Bar Feeder Machine
- 全自動穩壓器 Auto Volt. Stabilizer (10KVA)
- 全自動穩變壓器 Auto Volt. Transformer & Stabilizer (10KVA)

本公司保留機械及規格變更之權利，恕不另行通知。 Design and specification are subject to change without prior notice.
機械在一公尺範圍內之噪音值平均為 80 分貝。 The sound pressure level is 80 dB(A) at the position of one meter outside the machine.



RAY FENG MACHINE CO., LTD. 瑞豐機械

台南市仁德區大順路77號
No.77, Dashun Rd., Rende Dist, Tainan City 71757, Taiwan.
Tel : 886-6-2716866
Fax : 886-6-2713678
E-mail : info@rfmcnc.com
http : //www.rfmcnc.com

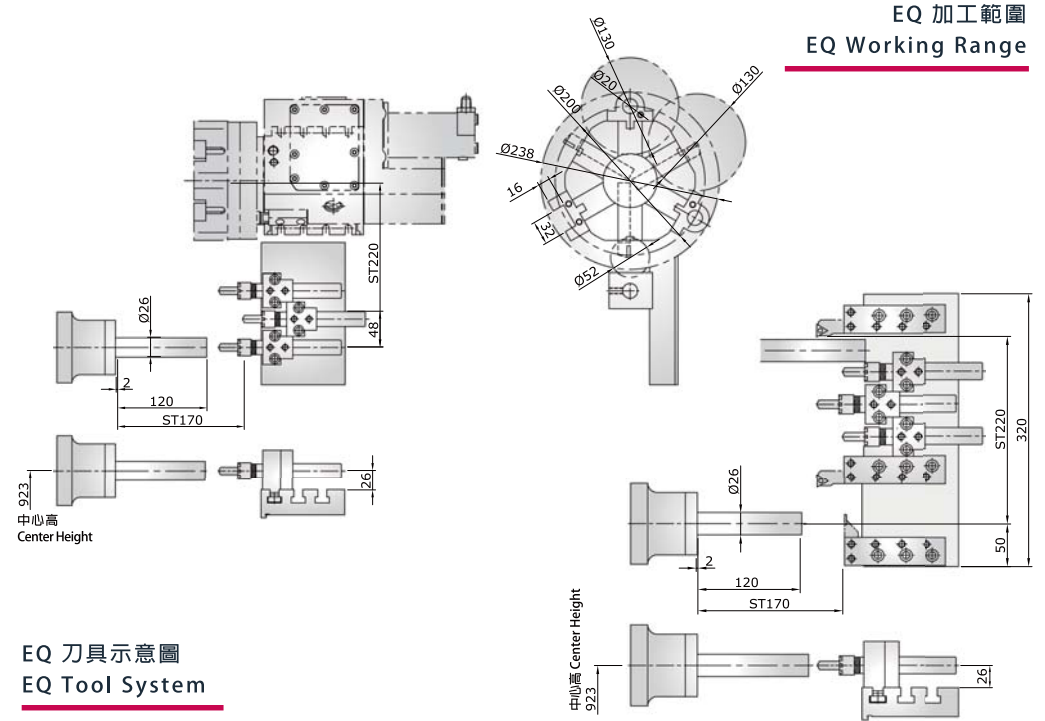
Copyright © RAY FENG MACHINE CO., LTD.

RC EQ

簡潔經濟又實惠高效能櫥式CNC車床
Compact and Economical Gang Type CNC Lathe

EQ系列採用櫥式刀座設計，可有效節省換刀時間。本機械適合用於二次加工專用機械，如加裝瑞豐機械自行研發設計之單件式自動送料裝置，亦可作為單件式自動加工，將有效節約時間人力成本。

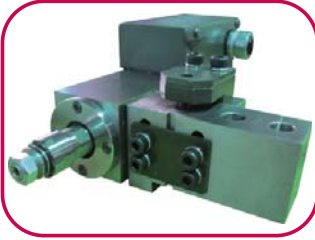
The EQ series is ideal for dedicated small-part production, second operation parts or short runs. Gang type tooling provides fast tool changes for short cycle time. The EQ Lathe brings high performance and reliability to industries that are unable to fit a normal CNC Lathe into their factory. EQ also is designed for high production or rapid prototyping of small, precision parts.



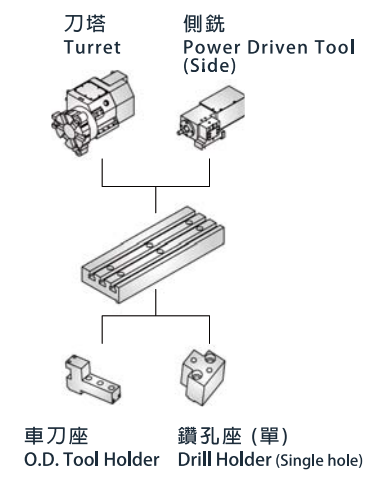
EQ 加工範圍
EQ Working Range

EQ 刀具示意圖
EQ Tool System

- 特色
- 櫥式刀座系統擁有高精度的快速換刀與切削。
 - X,Z軸向使用線性滑軌並提供穩定性及高精度。
 - 可搭配一組伺服動力刀系統提供銑邊、攻牙、鑽孔。
 - 可搭配六刀位油壓刀塔。
- Features
- Gang Type Tooling System has high speed cutting and High accuracy.
 - Linear Guide provide stable, accurate and Durable for X-axis and Z-axis.
 - Power driven tool can be chosen as optional for Tapping, Drilling, Grooving.
 - Turret can be chosen as optional.



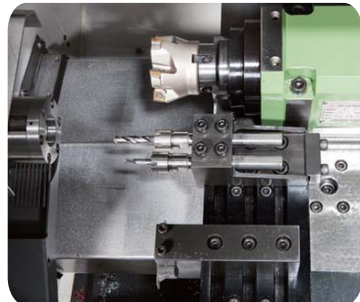
伺服動力刀可有效提升加工能力
Power Driven Tool upgrade the processing performance



EQ 機械尺寸
EQ Machine Dimension



六刀位刀塔將提升高效率
Turret increases turning efficiency



可安裝多邊成型切角機
Polygon cutting function can be installed